

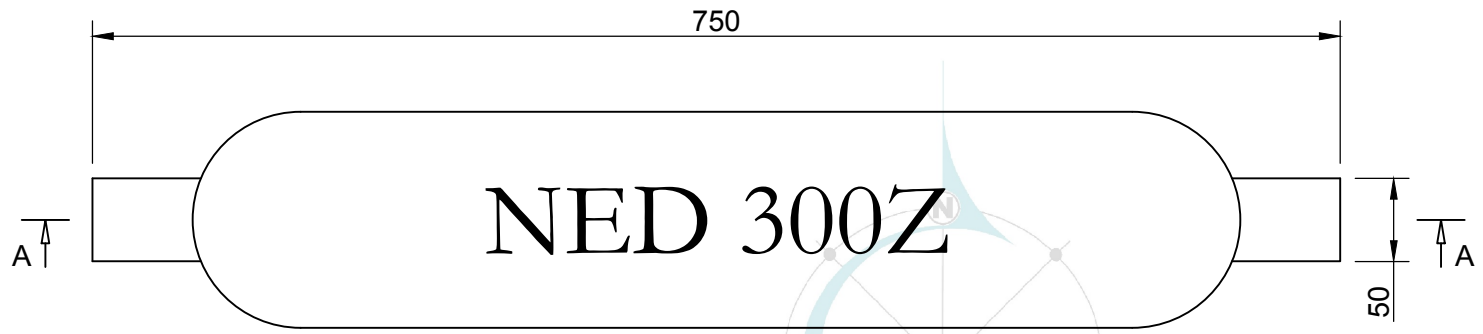
1 2 3 4 5 6

A A

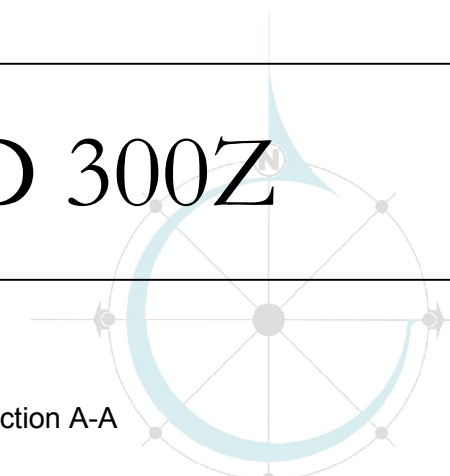
B B

C C

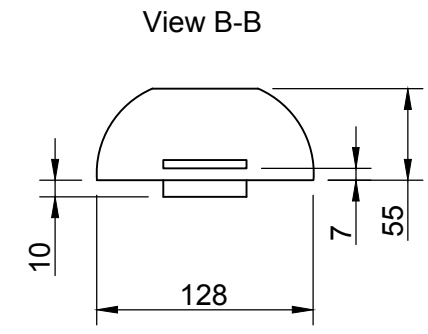
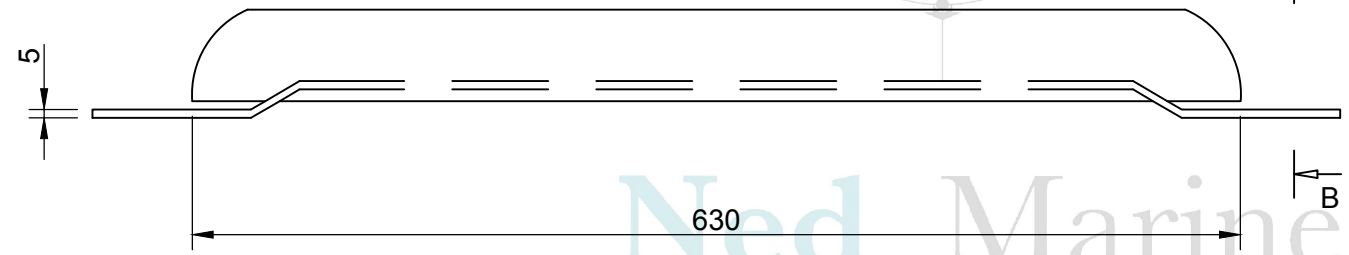
D



NED 300Z



Section A-A



View B-B

Ned Marine services B.V.

ZINC US-MIL-A-18001k ALLOY SPECIFICATION

Components:  
 Al 0,1-0,5% range  
 Fe 0,005% max  
 Pb 0,006% max  
 Cd 0,025-0,07% Max  
 Cu 0,005% max  
 Zn remaining

Capacity: 780 Ah/kg  
 Efficiency: 95%  
 Potential: - 1110 mV Cu -  
 CuSO<sub>4</sub> electrolyte artificial sea water DIN 50905  
 Insert quality: Plate, bar section EN10025 Grade S235/S275  
 Insert welding: All fabrication of steel inserts are according EN10287 and EN10288

NET WEIGHT: 24,3 kg  
 GROSS WEIGHT: 26,0 kg  
 INSERT WEIGHT: 1,7 kg

Company address:  
 Tinstraat 109  
 2984AN Ridderkerk  
 The Netherlands  
 Tel. +31 (0) 180 420 055  
 Fax. +31 (0) 180 499 810  
 E-mail. info@nedmarine.com  
 www.nedmarine.com



Drawing name: NED 300Z			
Drawing No.: 17.0187	Rev: 0	Sheet: 1/1	
Drawn: A.M	Approved: G.M.	Scale: -	Date: 09/06/2017

1 2 3 4 5 A4

Ned T.D. 16 003