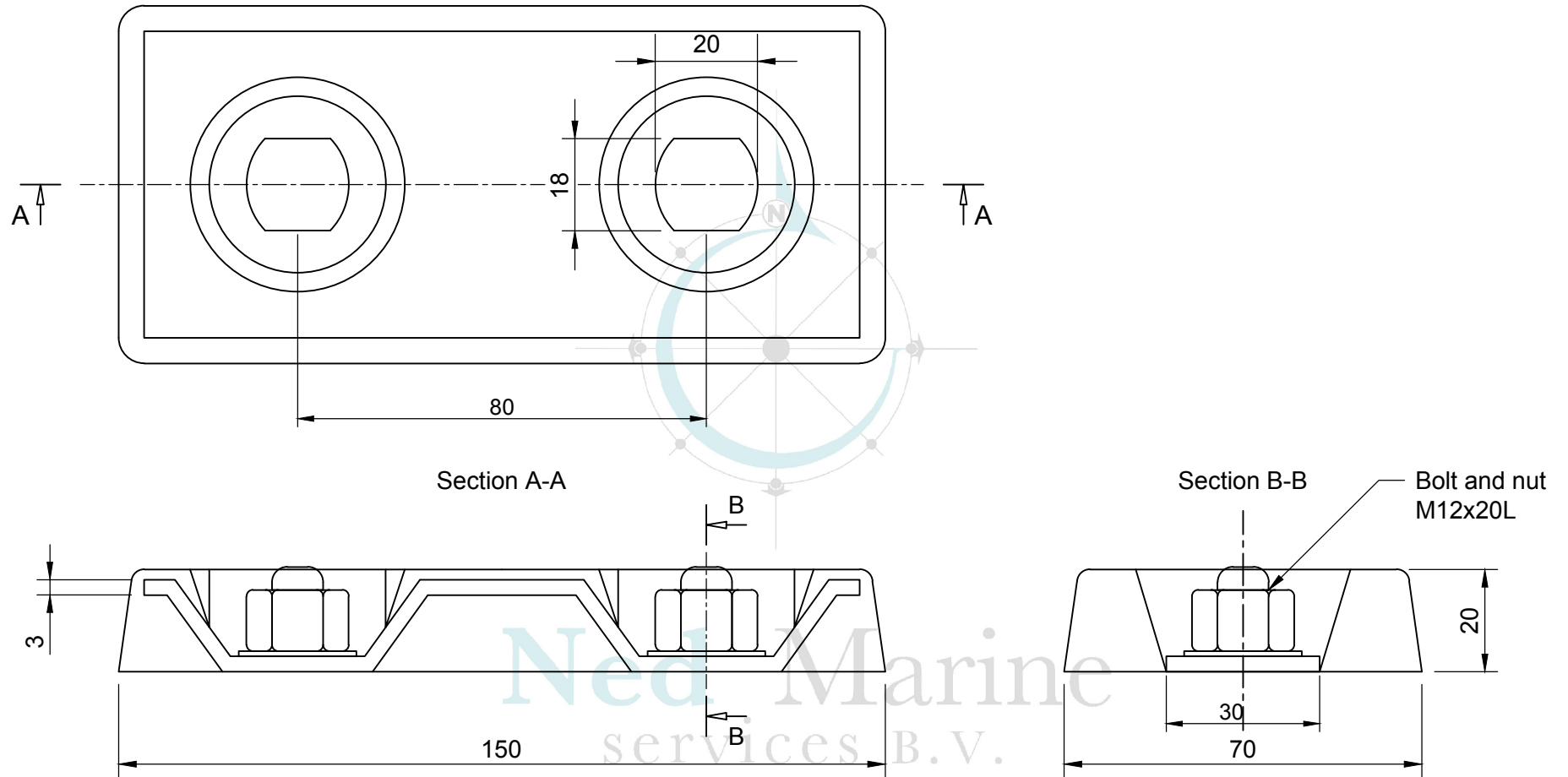


NED B2A



ALUMINIUM PL742 ALLOY SPECIFICATION

Components:

Zn 3,5-5% range
 Fe 0,16% max
 Cu 0,01% max
 In 0,02-0,05% max
 Si 0,1% max
 Others 0,04% max
 Al remaining

Capacity: 2680 Ah/kg

Efficiency: 90%

Potential: - 1110 mV Cu -

CuSO₄ electrolyte artificial sea water DIN 50905

Insert quality: Plate, bar section EN10025 Grade S235/S275

Insert welding: All fabrication of steel inserts are according EN10287 and EN10288

NET WEIGHT: 0,5 kg

GROSS WEIGHT: 0,6 kg

Company address:
 Tinstraat 109
 2984AN Ridderkerk
 The Netherlands
 Tel. +31 (0) 180 420 055
 Fax. +31 (0) 180 499 810
 E-mail. info@nedmarine.com
 www.nedmarine.com



Drawing name:

NED B2A

Drawing No.:

17.0086

Rev:

0

Sheet:

1/1

Drawn:
R.D.

Approved:
G.M.

Scale:
-

Date:
19/09/2017